

2-unit to 8-unit Multi-split Connectable Indoor Units



Type	2-unit		3-unit		4-unit	5-unit
Model name	AOYG14KBT2	AOYG18KBT2	AOYG18KBT3	AOYG24KBT3	AOYG30KBT4	AOYG36KBT5
Multi-split Type Outdoor Unit						
Capacity (kW)	Cooling: 4.0 Heating: 4.4	Cooling: 5.0 Heating: 5.6	Cooling: 5.4 Heating: 6.8	Cooling: 6.8 Heating: 8.0	Cooling: 8.0 Heating: 9.6	Cooling: 9.5 Heating: 10.6

Indoor Unit	BTU	kW Class	2-unit	3-unit	4-unit	5-unit
ASYG07/09/12/14KGT	7,000	2.0	●	●	●	●
ASYG07/09/12/14KETE	9,000	2.5	●	●	●	●
ASYG07/09/12/14KMCE	12,000	3.5	●	●	●	●
ASYG07/09/12/14KETE-B	14,000	4.0	—	●	●	●
ASYG18/22/24KMTE	18,000	5.0	—	—	●	●
	22,000	6.0	—	—	—	●
	24,000	7.0	—	—	—	●
AGYG09/12/14KVCA	9,000	2.5	●	●	●	●
	12,000	3.5	●	●	●	●
	14,000	4.0	—	●	●	●
AUXG07/09/12/14/18/22KVLV	7,000	2.0	●	●	●	●
	9,000	2.5	●	●	●	●
	12,000	3.5	●	●	●	●
	14,000	4.0	—	●	●	●
	18,000	5.0	—	—	●	●
	22,000	6.0	—	—	—	●
ARXG07/09/12/14/18KSLAP	7,000	2.0	●	●	●	●
	9,000	2.5	●	●	●	●
	12,000	3.5	●	●	●	●
	14,000	4.0	—	●	●	●
	18,000	5.0	—	—	●	●
ARXG07/09/12/14/18KLLAP	7,000	2.0	●	●	●	●
	9,000	2.5	●	●	●	●
	12,000	3.5	●	●	●	●
	14,000	4.0	—	●	●	●
	18,000	5.0	—	—	●	●
ARXG22KMLB	22,000	6.0	—	—	—	●
ABYG18/22KRTA	18,000	5.0	—	—	●	●
	22,000	6.0	—	—	—	●



Type	6-unit	8-unit
Model name	AOYG45LBA6	AOYG45LBT8
Multi-split Type Outdoor Unit		
Capacity (kW)	Cooling: 12.5 Heating: 13.5	Cooling: 14.0 Heating: 16.0

Indoor Unit	BTU	kW Class	6-unit	8-unit
ASYG07/09/12/14LMCE	7,000	2.0	●	●
	9,000	2.5	●	●
ASYG07/09/12/14LUCA	12,000	3.5	●	●
	14,000	4.0	●	●
ASYG18/24LF	18,000	5.0	●	●
	24,000	7.0	●	●
AGYG09/12/14LV	9,000	2.5	●	●
	12,000	3.5	●	●
	14,000	4.0	●	●
AUYG07/09/12/14/18LV	7,000	2.0	●	●
	9,000	2.5	●	●
	12,000	3.5	●	●
	14,000	4.0	●	●
	18,000	5.0	●	●
ABYG14LVTA	14,000	4.0	●	●
ABYG18LVTB	18,000	5.0	●	●
ARYG07/09/12/14/18LSLAP	7,000	2.0	●	—
	9,000	2.5	●	—
	12,000	3.5	●	—
	14,000	4.0	●	—
	18,000	5.0	●	—
ARYG07/09/12/14/18LL	7,000	2.0	●	●
	9,000	2.5	●	●
	12,000	3.5	●	●
	14,000	4.0	●	●
	18,000	5.0	●	●

2-unit: AOYG14KBT2/AOYG18KBT2
 3-unit: AOYG18KBT3/AOYG24KBT3
 4-unit: AOYG30KBT4
 5-unit: AOYG36KBT5



Specifications (2-unit)

Model name		AOYG14KBT2		AOYG18KBT2	
Power Source					
Single phase, ~230 V, 50 Hz					
Rated Capacity (Min. - Max.)	Cooling	4.0 (1.4-4.6)		5.0 (1.7-5.8)	
	Heating	4.4 (1.1-5.5)		5.6 (1.8-6.6)	
EER	Cooling	4.12		4.03	
	Heating	4.63		4.59	
Sound Pressure Level (High)	Cooling	47		47	
	Heating	49		50	
Sound Power Level (High)	Cooling	60		60	
	Heating	62		62	
Airflow Rate	Cooling/Heating	1,670/1,670		1,960/2,020	
Net Dimensions H x W x D		542 x 799 x 290		632 x 799 x 290	
Weight		33 (73)		33 (82)	
Connection Pipe Diameter	Liquid	6.35 x 2		6.35 x 2	
	Gas	9.52 x 2		9.52 x 2	
Max. Pipe Length	Total/Each	30/20		30/20	
Max. Height Difference	Between Outdoor Unit and Each Indoor Unit	15		15	
	Between Indoor Units	10		10	
Operating Range	Cooling	-10 to 46		-10 to 46	
	Heating	-15 to 24		-15 to 24	
Refrigerant	Type (Global Warming Potential)	R32 (675)		R32 (675)	
	Charge	0.9 (0.608)		1.02 (0.689)	

Specifications (3-unit)

Model name		AOYG18KBT3		AOYG24KBT3	
Power Source					
Single phase, ~230 V, 50 Hz					
Rated Capacity (Min. - Max.)	Cooling	5.4 (1.8-7.0)		6.8 (1.8-8.5)	
	Heating	6.8 (2.0-8.0)		8.0 (2.0-9.2)	
EER	Cooling	4.78		3.90	
	Heating	4.89		4.40	
Sound Pressure Level (High)	Cooling	46		48	
	Heating	49		53	
Sound Power Level (High)	Cooling	59		61	
	Heating	61		67	
Airflow Rate	Cooling/Heating	2,220/2,160		2,270/2,730	
Net Dimensions H x W x D		716 x 820 x 315		716 x 820 x 315	
Weight		46 (102)		46 (102)	
Connection Pipe Diameter	Liquid	6.35 x 3		6.35 x 3	
	Gas	9.52 x 3		9.52 x 2, 12.70 x 1 adapter [12.70 → 9.52] x 1	
Max. Pipe Length	Total/Each	50/25		50/25	
Max. Height Difference	Between Outdoor Unit and Each Indoor Unit	15		15	
	Between Indoor Units	10		10	
Operating Range	Cooling	-10 to 46		-10 to 46	
	Heating	-15 to 24		-15 to 24	
Refrigerant	Type (Global Warming Potential)	R32 (675)		R32 (675)	
	Charge	1.8 (1.215)		1.8 (1.215)	

Specifications (4-unit, 5-unit)

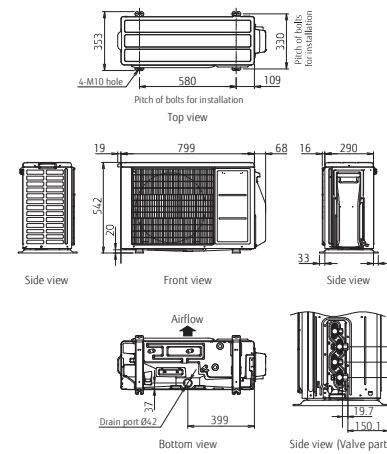
Model name		AOYG30KBT4		AOYG36KBT5	
Power Source					
Single phase, ~230 V, 50 Hz					
Rated Capacity (Min. - Max.)	Cooling	8.0 (2.4-10.1)		9.5 (3.0-11.0)	
	Heating	9.6 (3.0-11.2)		10.6 (3.5-12.0)	
EER	Cooling	3.90		3.80	
	Heating	4.55		4.50	
Sound Pressure Level (High)	Cooling	50		52	
	Heating	54		55	
Sound Power Level (High)	Cooling	63		65	
	Heating	66		68	
Airflow Rate	Cooling/Heating	2,400/2,950		2,450/2,900	
Net Dimensions H x W x D		884 x 820 x 315		884 x 820 x 315	
Weight		55 (121)		59 (130)	
Connection Pipe Diameter	Liquid	6.35 x 4		6.35 x 5	
	Gas	9.52 x 2, 12.70 x 2 adapter [12.70 → 9.52] x 2		9.52 x 3, 12.70 x 2 adapter [12.70 → 9.52] x 2 adapter [9.52 → 12.70] x 1	
Max. Pipe Length*	Total/Each	70/25		75/25	
Max. Height Difference	Between Outdoor Unit and Each Indoor Unit	15		15	
	Between Indoor Units	10		10	
Operating Range	Cooling	-10 to 46		-10 to 46	
	Heating	-15 to 24		-15 to 24	
Refrigerant	Type (Global Warming Potential)	R32 (675)		R32 (675)	
	Charge	2.2 (1.485)		2.5 (1.688)	

*Length not applicable when floor units are connected. For details, refer to the installation manual.

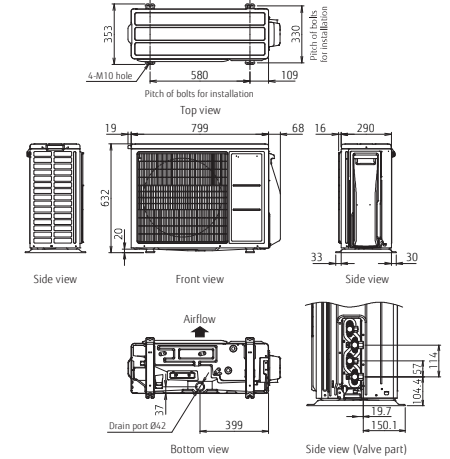
Dimensions

(Unit: mm)

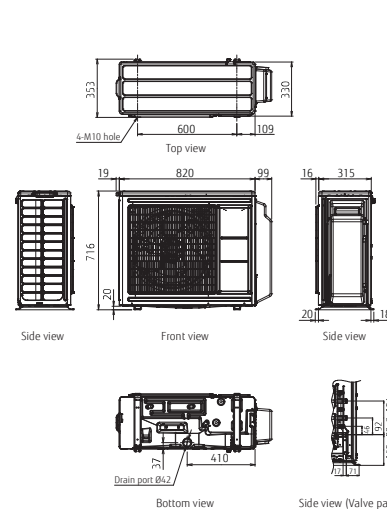
2-unit: AOYG14KBT2



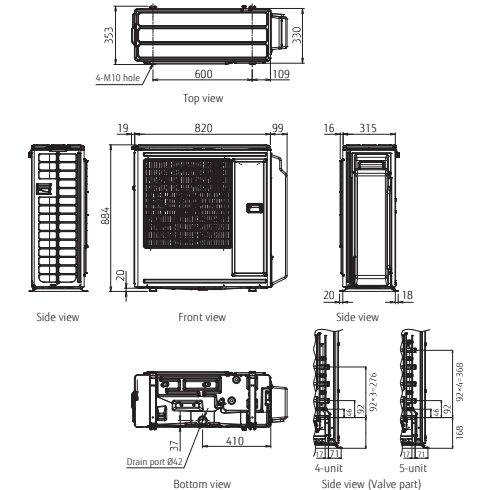
2-unit: AOYG18KBT2



3-unit: AOYG18KBT3/AOYG24KBT3



**4-unit: AOYG30KBT4
5-unit: AOYG36KBT5**



2-unit to 5-unit Multi-split Indoor Units Specifications

Wall-mounted type

Model name		Indoor unit		ASVG07KETE	ASVG09KETE	ASYG12KETE	ASYG14KETE
kW Class		kW		2.0	2.5	3.5	4.0
Power Source							
Single phase, ~230 V, 50 Hz							
Sound Pressure Level	Cooling	H/M/L/Q	dB(A)	38/33/29/21	40/34/29/21	40/35/30/21	43/36/30/21
	Heating			41/35/31/22	42/36/31/22	42/38/33/22	44/39/33/24
Sound Power Level	Cooling	H	dB(A)	54	55	57	57
	Heating			56	57	58	59
Airflow Rate	Cooling	H/M/L/Q	m³/h	650/540/430/270	700/560/430/270	700/560/430/270	770/600/450/280
	Heating			720/580/460/330	750/610/470/330	770/640/520/330	800/660/520/340
Net Dimensions		mm		270 × 834 × 215	270 × 834 × 215	270 × 834 × 215	270 × 834 × 215
Weight		kg (lbs)		10 (22)	10 (22)	10 (22)	10 (22)
Connection Pipe Diameter		Liquid/Gas		6.35/9.52	6.35/9.52	6.35/9.52	6.35/9.52

Wall-mounted type

Model name		Indoor unit		ASVG07KETE	ASVG09KETE	ASYG12KETE	ASYG14KETE
kW Class		kW		2.0	2.5	3.5	4.0
Power Source							
Single phase, ~230 V, 50 Hz							
Sound Pressure Level	Cooling	H/M/L/Q	dB(A)	38/33/29/21	40/34/29/21	40/35/30/21	43/36/30/21
	Heating			41/35/31/22	42/36/31/22	42/38/33/22	44/39/33/24
Sound Power Level	Cooling	H	dB(A)	54	55	57	57
	Heating			56	57	58	59
Airflow Rate	Cooling	H/M/L/Q	m³/h	650/540/430/270	700/560/430/270	700/560/430/270	770/600/450/280
	Heating			720/580/460/330	750/610/470/330	770/640/520/330	800/660/520/340
Net Dimensions		mm		295 × 950 (wall side: 840) × 230	295 × 950 (wall side: 840) × 230	295 × 950 (wall side: 840) × 230	295 × 950 (wall side: 840) × 230
Weight		kg (lbs)		11(24)	11(24)	11(24)	11(24)
Connection Pipe Diameter		Liquid/Gas		6.35/9.52	6.35/9.52	6.35/9.52	6.35/9.52

Wall-mounted type

Model name		Indoor unit		ASVG07KMCE	ASVG09KMCE	ASYG12KMCE	ASYG14KMCE
kW Class		kW		2.0	2.5	3.5	4.0
Power Source							
Single phase, ~230 V, 50 Hz							
Sound Pressure Level	Cooling	H/M/L/Q	dB(A)	38/33/29/21	40/34/29/21	40/35/30/21	43/36/30/21
	Heating			41/35/31/22	42/36/31/22	42/38/33/22	44/39/33/24
Sound Power Level	Cooling	H	dB(A)	54	55	57	57
	Heating			56	57	58	59
Airflow Rate	Cooling	H/M/L/Q	m³/h	650/540/430/270	700/560/430/270	700/560/430/270	770/600/450/280
	Heating			720/580/460/330	750/610/470/330	780/640/520/330	820/660/520/340
Net Dimensions		mm		270 × 834 × 222	270 × 834 × 222	270 × 834 × 222	270 × 834 × 222
Weight		kg (lbs)		10 (22)	10 (22)	10 (22)	10 (22)
Connection Pipe Diameter		Liquid/Gas		6.35/9.52	6.35/9.52	6.35/9.52	6.35/9.52

Wall-mounted type

Model name		Indoor unit		ASYG18KMTE	ASYG22KMTE	ASYG24KMTE	
kW Class		kW		5.0	6.0	7.0	
Power Source							
Single phase, ~230 V, 50 Hz							
Sound Pressure Level	Cooling	H/M/L/Q	dB(A)	45/40/35/29	48/40/35/29	49/40/35/29	
	Heating			46/40/35/29	48/40/35/29	49/40/35/29	
Sound Power Level	Cooling	H	dB(A)	60	62	65	
	Heating			61	62	65	
Airflow Rate	Cooling	H/M/L/Q	m³/h	980/810/640/510	1,060/810/640/510	1,170/850/640/510	
	Heating			1,020/850/640/510	1,060/850/640/510	1,170/850/640/510	
Net Dimensions		mm		280 × 980 × 240	280 × 980 × 240	280 × 980 × 240	
Weight		kg (lbs)		12.5 (27)	12.5 (27)	12.5 (27)	
Connection Pipe Diameter		Liquid/Gas		6.35/12.70	6.35/12.70	6.35/12.70	

Floor

Model name		Indoor unit		AGYG09KVCA	AGYG12KVCA	AGYG14KVCA	
kW Class		kW		2.5	3.5	4.0	
Power Source							
Single phase, ~230 V, 50 Hz							
Sound Pressure Level	Cooling	H/M/L/Q	dB(A)	39/34/28/22	42/36/30/22	44/38/31/22	
	Heating			39/35/30/22	42/38/32/22	44/39/33/22	
Sound Power Level	Cooling	H	dB(A)	52	55	56	
	Heating			52	55	56	
Airflow Rate	Cooling	H/M/L/Q	m³/h	530/440/360/270	600/490/380/270	650/520/400/270	
	Heating			530/460/380/270	600/510/410/270	650/540/430/270	
Net Dimensions		mm		600 × 740 × 200	600 × 740 × 200	600 × 740 × 200	
Weight		kg (lbs)		14 (31)	14 (31)	14 (31)	
Connection Pipe Diameter		Liquid/Gas		6.35/9.52	6.35/9.52	6.35/9.52	

Ceiling

Model name		Indoor unit		ABYG18KRTA	ABYG22KRTA
kW Class		kW		5.0	6.0
Power Source					
Single phase, ~230 V, 50 Hz					
Sound Pressure Level	Cooling	H/M/L/Q	dB(A)	38/36/33/31	42/37/34/31
	Heating			38/36/33/31	42/37/34/31
Sound Power Level	Cooling	H	dB(A)	53	57
	Heating			53	57
Airflow Rate	Cooling	H/M/L/Q	m³/h	840/790/710/650	900/790/710/650
	Heating			840/790/710/650	900/790/710/650
Net Dimensions		mm		235 × 1,080 × 705	235 × 1,080 × 705
Weight		kg (lbs)		24(52)	24(52)
Connection Pipe Diameter		Liquid/Gas		6.35/12.70	6.35/12.70

Compact Cassette Grid Type

Model name		Indoor unit		AUXG07KVLA	AUXG09KVLA	AUXG12KVLA	AUXG14KVLA	AUXG18KVLA	AUXG22KVLA
kW Class		kW		2.0	2.5	3.5	4.0	5.0	6.0
Power Source									
Single phase, ~230 V, 50 Hz									
Sound Pressure Level	Cooling	H/M/L/Q	dB(A)	33/31/29/27	33/31/29/27	37/34/31/28	38/35/32/29	38/35/32/29	44/42/36/30
	Heating			34/32/29/27	34/32/29/27	37/34/31/29	43/38/34/30	43/38/34/30	45/43/40/33
Sound Power Level	Cooling	H	dB(A)	46	46	49	50	50	56
	Heating			47	49	55	55	55	
Airflow Rate	Cooling	H/M/L/Q	m³/h	540/490/440/390	540/490/440/390	610/530/470/410	680/580/490/410	680/580/490/410	830/740/600/450
	Heating			540/490/440/390	540/490/440/390	610/530/470/410	790/680/580/450	790/680/580/450	860/760/700/530
Net Dimensions		mm		245 × 570 × 570	245 × 570 × 570	245 × 570 × 570	245 × 570 × 570	245 × 570 × 570	245 × 570 × 570
Weight		kg (lbs)		15 (33)	15 (33)	15 (33)	15 (33)	15 (33)	16 (35)
Connection Pipe Diameter		Liquid/Gas		UTG-UFYF-W	UTG-UFYF-W	UTG-UFYF-W	UTG-UFYF-W	UTG-UFYF-W	UTG-UFYF-W
				6.35/9.52	6.35/9.52	6.35/9.52	6.35/9.52	6.35/9.52	6.35/12.70

Mini duct

Model name		Indoor unit		ARXG07KSLAP	ARXG09KSLAP	ARXG12KSLAP	ARXG14KSLAP	ARXG18KSLAP
kW Class		kW		2.0	2.5	3.5	4.0	5.0
Power Source								
Single phase, ~230 V, 50 Hz								
Sound Pressure Level	Cooling	H/M/L/Q	dB(A)	29/26/24/23	29/26/24/23	31/27/25/23	35/30/27/23	33/29/26/23
	Heating			29/26/24/23	29/26/24/23	31/27/25/23	35/30/27/23	33/29/26/23
Sound Power Level	Cooling	H	dB(A)	52	54	55	60	58
	Heating			53	56	57	62	59
Airflow Rate	Cooling	H/M/L/Q	m³/h	550/440/390/360	600/450/400/360	650/490/430/360	800/640/530/360	940/750/540/480
	Heating			550/440/390/360	600/450/400/360	650/490/430/360	800/640/530/360	940/750/540/480
Net Dimensions		mm		198 × 700 × 450	198 × 700 × 450	198 × 700 × 450	198 × 700 × 450	198 × 900 × 450
Weight		kg (lbs)		15.5 (34)	15.5 (34)	15.5 (34)	15.5 (34)	18.5 (40)
Connection Pipe Diameter		Liquid/Gas		6.35/9.52	6.35/9.52	6.35/9.52	6.35/9.52	6.35/12.70
External static pressure		Pa		0 to 30	0 to 30	0 to 30	0 to 50	0 to 50
Drain pump				Standard	Standard	Standard	Standard	Standard

Slim duct

Model name		Indoor unit		ARXG07KLLAP	ARXG09KLLAP	ARXG12KLLAP	ARXG14KLLAP	ARXG18KLLAP
kW Class		kW		2.0	2.5	3.5	4.0	5.0
Power Source								
Single phase, ~230 V, 50 Hz								
Sound Pressure Level	Cooling	H/M/L/Q	dB(A)	28/26/25/24	28/27/26/25	29/28/27/26	32/30/28/26	32/30/29/27
	Heating			28/26/25/24	28/26/25/24	29/28/27/26	32/30/28/25	32/30/29/27
Sound Power Level	Cooling	H	dB(A)	57	57	58	60	58
	Heating			57	57	58	60	58
Airflow Rate	Cooling	H/M/L/Q	m³/h	550/490/470/440	600/550/500/450	650/600/550/480	800/700/600/480	940/880/820/750
	Heating			550/490/470/440	600/550/500/450	650/600/550/480	800/700/600/480	940/880/820/750
Net Dimensions		mm		198 × 700 × 620	198 × 700 × 620	198 × 700 × 620	198 × 700 × 620	198 × 900 × 620
Weight		kg (lbs)		16 (35)	17 (37)	17 (37)	17 (37)	20 (44)
Connection Pipe Diameter		Liquid/Gas		6.35/9.52	6.35/9.52	6.35/9.52	6.35/9.52	6.35/12.70
External static pressure		Pa		0 to 90	0 to 90	0 to 90	0 to 90	0 to 90
Drain pump				Standard	Standard	Standard	Standard	Standard

Medium Static Pressure Duct

Model name		Indoor unit		ARXG22KMLB
kW Class		kW		6.0
Power Source				
Single phase, ~230 V, 50 Hz				
Sound Pressure Level	Cooling	H/M/L/Q	dB(A)	31/29/27/25
	Heating			31/29/27/25
Sound Power Level	Cooling	H	dB(A)	60
	Heating			62
Airflow Rate	Cooling	H/M/L/Q	m³/h	1,100/910/750/580
	Heating			1,100/910/750/580
Net Dimensions		mm		270 × 1,135 × 700
Weight		kg (lbs)		35 (77)
Connection Pipe Diameter		Liquid/Gas		6.35/12.70
External static pressure		Pa		30 to 150
Drain pump				Standard

2-unit Multi-split Combination Table-Cooling/Heating

2-unit Multi-split cooling

AOYG14K8TA2	Combination of Indoor Units		Cooling Operation						Seasonal Data		
			Cooling Capacity			Input Power (Min. - Max.) kW	EER	Pdesign kW	SEER	Energy efficiency class	
			Unit 1 kW	Unit 2 kW	Total Capacity (Min. - Max.) kW						
2-unit connection	7	7	2.00	2.00	4.00 (1.4-4.6)	0.97 (0.25-1.20)	4.12	4.0	8.7	A+++	
	7	9	1.75	2.25	4.00 (1.4-4.6)	0.97 (0.25-1.20)	4.12	4.0	8.7	A+++	
	7	12	1.67	2.53	4.00 (1.4-4.6)	0.97 (0.25-1.20)	4.12	4.0	8.7	A+++	
	9	9	2.00	2.00	4.00 (1.4-4.6)	0.97 (0.25-1.20)	4.12	4.0	8.7	A+++	
	9	12	1.71	2.29	4.00 (1.4-4.6)	0.97 (0.25-1.20)	4.12	4.0	8.7	A+++	

Notes: *7: 7000 Btu/h/9: 9000 Btu/h/12: 12000 Btu/h models

- *The above specifications apply when connected with a wall-mounted [KG] unit.
- *2 or more indoor units should be connected.
- *Cooling capacity is determined based on 27°CDB/19°CWB (indoor temperature) and 35°CDB (outdoor temperature).
- *Pipe Length: 5 m, Height difference: 0 m (Outdoor unit to Indoor unit)
- *Total capacity of indoor units connected must be between 4.0 kW and 6.0 kW.

AOYG18K8TA2	Combination of Indoor Units		Cooling Operation						Seasonal Data		
			Cooling Capacity			Input Power (Min. - Max.) kW	EER	Pdesign kW	SEER	Energy efficiency class	
			Unit 1 kW	Unit 2 kW	Total Capacity (Min. - Max.) kW						
2-unit connection	7	7	2.00	2.00	4.00 (1.7-5.0)	0.92 (0.25-1.23)	4.35	4.0	8.8	A+++	
	7	9	2.00	2.50	4.50 (1.7-5.7)	1.07 (0.25-1.45)	4.22	4.5	8.7	A+++	
	7	12	1.84	3.16	5.00 (1.7-5.8)	1.24 (0.25-1.55)	4.03	5.0	8.6	A+++	
	7	14	1.67	3.33	5.00 (1.7-5.8)	1.24 (0.25-1.55)	4.03	5.0	8.6	A+++	
	9	9	2.50	2.50	5.00 (1.7-5.8)	1.24 (0.25-1.55)	4.03	5.0	8.6	A+++	
	9	12	2.14	2.86	5.00 (1.7-5.8)	1.24 (0.25-1.55)	4.03	5.0	8.6	A+++	
	9	14	1.96	3.04	5.00 (1.7-5.8)	1.24 (0.25-1.55)	4.03	5.0	8.6	A+++	
	12	12	2.50	2.50	5.00 (1.7-5.8)	1.24 (0.25-1.55)	4.03	5.0	8.6	A+++	
	12	14	2.31	2.69	5.00 (1.7-5.8)	1.24 (0.25-1.55)	4.03	5.0	8.6	A+++	

Notes: *7: 7000 Btu/h/9: 9000 Btu/h/12: 12000 Btu/h/14: 14000 Btu/h models

- *The above specifications apply when connected with a wall-mounted [KG] unit.
- *2 or more indoor units should be connected.
- *Cooling capacity is determined based on 27°CDB/19°CWB (indoor temperature) and 35°CDB (outdoor temperature).
- *Pipe Length: 5 m, Height difference: 0 m (Outdoor unit to Indoor unit)
- *Total capacity of indoor units connected must be between 4.0 kW and 7.5 kW.

2-unit Multi-split heating

AOYG14K8TA2	Combination of Indoor Units		Heating Operation						Seasonal Data		
			Heating Capacity			Input Power (Min. - Max.) kW	COP	Pdesign kW	SCOP	Energy efficiency class	
			Unit 1 kW	Unit 2 kW	Total Capacity (Min. - Max.) kW						
2-unit connection	7	7	2.20	2.20	4.40 (1.1-5.5)	0.95 (0.25-1.65)	4.63	3.5	4.7	A++	
	7	9	1.92	2.48	4.40 (1.1-5.5)	0.95 (0.25-1.65)	4.63	3.5	4.7	A++	
	7	12	1.62	2.78	4.40 (1.1-5.5)	0.95 (0.25-1.65)	4.63	3.5	4.7	A++	
	9	9	2.20	2.20	4.40 (1.1-5.5)	0.95 (0.25-1.65)	4.63	3.5	4.7	A++	
	9	12	1.89	2.51	4.40 (1.1-5.5)	0.95 (0.25-1.65)	4.63	3.5	4.7	A++	

Notes: *7: 7000 Btu/h/9: 9000 Btu/h/12: 12000 Btu/h models

- *The above specifications apply when connected with a wall-mounted [KG] unit.
- *2 or more indoor units should be connected.
- *Heating capacity is determined based on 20°CDB (indoor temperature) and 7°CDB/6°CWB (outdoor temperature).
- *Pipe Length: 5 m, Height difference: 0 m (Outdoor unit to Indoor unit)
- *Total capacity of indoor units connected must be between 4.0 kW and 6.0 kW.

AOYG18K8TA2	Combination of Indoor Units		Heating Operation						Seasonal Data		
			Heating Capacity			Input Power (Min. - Max.) kW	COP	Pdesign kW	SCOP	Energy efficiency class	
			Unit 1 kW	Unit 2 kW	Total Capacity (Min. - Max.) kW						
2-unit connection	7	7	2.40	2.40	4.80 (1.7-5.6)	0.99 (0.25-1.35)	4.85	3.8	4.7	A++	
	7	9	2.40	3.00	5.40 (1.7-6.4)	1.15 (0.25-1.60)	4.70	4.0	4.7	A++	
	7	12	2.06	3.54	5.60 (1.7-7.0)	1.22 (0.25-1.80)	4.59	4.2	4.7	A++	
	7	14	1.87	3.73	5.60 (1.7-7.0)	1.22 (0.25-1.80)	4.59	4.2	4.7	A++	
	9	9	2.80	2.80	5.60 (1.7-7.0)	1.22 (0.25-1.80)	4.59	4.2	4.7	A++	
	9	12	2.40	3.20	5.60 (1.7-7.0)	1.22 (0.25-1.80)	4.59	4.2	4.7	A++	
	9	14	2.19	3.41	5.60 (1.7-7.0)	1.22 (0.25-1.80)	4.59	4.2	4.7	A++	
	12	12	2.80	2.80	5.60 (1.7-7.0)	1.22 (0.25-1.80)	4.59	4.2	4.7	A++	
	12	14	2.58	3.02	5.60 (1.7-7.0)	1.22 (0.25-1.80)	4.59	4.2	4.7	A++	

Notes: *7: 7000 Btu/h/9: 9000 Btu/h/12: 12000 Btu/h/14: 14000 Btu/h models

- *The above specifications apply when connected with a wall-mounted [KG] unit.
- *2 or more indoor units should be connected.
- *Heating capacity is determined based on 20°CDB (indoor temperature) and 7°CDB/6°CWB (outdoor temperature).
- *Pipe Length: 5 m, Height difference: 0 m (Outdoor unit to Indoor unit)
- *Total capacity of indoor units connected must be between 4.0 kW and 7.5 kW.