

2-unit to 8-unit Multi-split Connectable Indoor Units



| Type | 2-unit | | 3-unit | | 4-unit | 5-unit |
|-------------------------------|------------------------------|------------------------------|------------------------------|------------------------------|------------------------------|-------------------------------|
| Model name | AOYG14KBT2 | AOYG18KBT2 | AOYG18KBT3 | AOYG24KBT3 | AOYG30KBT4 | AOYG36KBT5 |
| Multi-split Type Outdoor Unit | | | | | | |
| Capacity (kW) | Cooling: 4.0 Heating: 4.4 | Cooling: 5.0 Heating: 5.6 | Cooling: 5.4 Heating: 6.8 | Cooling: 6.8 Heating: 8.0 | Cooling: 8.0 Heating: 9.6 | Cooling: 9.5 Heating: 10.6 |

| Indoor Unit | BTU | kW Class | 2-unit | 3-unit | 4-unit | 5-unit |
|---------------------------|--------|----------|--------|--------|--------|--------|
| ASYG07/09/12/14KGT | 7,000 | 2.0 | ● | ● | ● | ● |
| ASYG07/09/12/14KETE | 9,000 | 2.5 | ● | ● | ● | ● |
| ASYG07/09/12/14KMCE | 12,000 | 3.5 | ● | ● | ● | ● |
| ASYG07/09/12/14KETE-B | 14,000 | 4.0 | — | ● | ● | ● |
| ASYG18/22/24KMTE | 18,000 | 5.0 | — | — | ● | ● |
| | 22,000 | 6.0 | — | — | — | ● |
| | 24,000 | 7.0 | — | — | — | ● |
| AGYG09/12/14KVCA | 9,000 | 2.5 | ● | ● | ● | ● |
| | 12,000 | 3.5 | ● | ● | ● | ● |
| | 14,000 | 4.0 | — | ● | ● | ● |
| AUXG07/09/12/14/18/22KVLV | 7,000 | 2.0 | ● | ● | ● | ● |
| | 9,000 | 2.5 | ● | ● | ● | ● |
| | 12,000 | 3.5 | ● | ● | ● | ● |
| | 14,000 | 4.0 | — | ● | ● | ● |
| | 18,000 | 5.0 | — | — | ● | ● |
| | 22,000 | 6.0 | — | — | — | ● |
| ARXG07/09/12/14/18KSLAP | 7,000 | 2.0 | ● | ● | ● | ● |
| | 9,000 | 2.5 | ● | ● | ● | ● |
| | 12,000 | 3.5 | ● | ● | ● | ● |
| | 14,000 | 4.0 | — | ● | ● | ● |
| | 18,000 | 5.0 | — | — | ● | ● |
| ARXG07/09/12/14/18KLLAP | 7,000 | 2.0 | ● | ● | ● | ● |
| | 9,000 | 2.5 | ● | ● | ● | ● |
| | 12,000 | 3.5 | ● | ● | ● | ● |
| | 14,000 | 4.0 | — | ● | ● | ● |
| | 18,000 | 5.0 | — | — | ● | ● |
| ARXG22KMLB | 22,000 | 6.0 | — | — | — | ● |
| ABYG18/22KRTA | 18,000 | 5.0 | — | — | ● | ● |
| | 22,000 | 6.0 | — | — | — | ● |



| Type | 6-unit | 8-unit |
|-------------------------------|--------------------------------|--------------------------------|
| Model name | AOYG45LBA6 | AOYG45LBT8 |
| Multi-split Type Outdoor Unit | | |
| Capacity (kW) | Cooling: 12.5 Heating: 13.5 | Cooling: 14.0 Heating: 16.0 |

| Indoor Unit | BTU | kW Class | 6-unit | 8-unit |
|-------------------------|--------|----------|--------|--------|
| ASYG07/09/12/14LMCE | 7,000 | 2.0 | ● | ● |
| | 9,000 | 2.5 | ● | ● |
| ASYG07/09/12/14LUCA | 12,000 | 3.5 | ● | ● |
| | 14,000 | 4.0 | ● | ● |
| ASYG18/24LF | 18,000 | 5.0 | ● | ● |
| | 24,000 | 7.0 | ● | ● |
| AGYG09/12/14LV | 9,000 | 2.5 | ● | ● |
| | 12,000 | 3.5 | ● | ● |
| | 14,000 | 4.0 | ● | ● |
| AUYG07/09/12/14/18LV | 7,000 | 2.0 | ● | ● |
| | 9,000 | 2.5 | ● | ● |
| | 12,000 | 3.5 | ● | ● |
| | 14,000 | 4.0 | ● | ● |
| | 18,000 | 5.0 | ● | ● |
| ABYG14LVTA | 14,000 | 4.0 | ● | ● |
| ABYG18LVTB | 18,000 | 5.0 | ● | ● |
| ARYG07/09/12/14/18LSLAP | 7,000 | 2.0 | ● | — |
| | 9,000 | 2.5 | ● | — |
| | 12,000 | 3.5 | ● | — |
| | 14,000 | 4.0 | ● | — |
| | 18,000 | 5.0 | ● | — |
| ARYG07/09/12/14/18LL | 7,000 | 2.0 | ● | ● |
| | 9,000 | 2.5 | ● | ● |
| | 12,000 | 3.5 | ● | ● |
| | 14,000 | 4.0 | ● | ● |
| | 18,000 | 5.0 | ● | ● |

2-unit: AOYG14KBT2/AOYG18KBT2
 3-unit: AOYG18KBT3/AOYG24KBT3
 4-unit: AOYG30KBT4
 5-unit: AOYG36KBT5



Specifications (2-unit)

| Model name | | AOYG14KBT2 | | AOYG18KBT2 | |
|------------------------------|---|-------------------------------|--|-----------------|--|
| Power Source | | Single phase, ~230 V, 50 Hz | | | |
| Rated Capacity (Min. - Max.) | Cooling | 4.0 (1.4-4.6) | | 5.0 (1.7-5.8) | |
| | Heating | 4.4 (1.1-5.5) | | 5.6 (1.8-6.6) | |
| EER | Cooling | 4.12 | | 4.03 | |
| | Heating | 4.63 | | 4.59 | |
| Sound Pressure Level (High) | Cooling | 47 | | 47 | |
| | Heating | 49 | | 50 | |
| Sound Power Level (High) | Cooling | 60 | | 60 | |
| | Heating | 62 | | 62 | |
| Airflow Rate | Cooling/Heating | 1,670/1,670 m ³ /h | | 1,960/2,020 | |
| Net Dimensions H × W × D | | 542 × 799 × 290 mm | | 632 × 799 × 290 | |
| Weight | | 33 (73) kg (lbs) | | 33 (82) | |
| Connection Pipe Diameter | Liquid | 6.35 × 2 mm | | 6.35 × 2 | |
| | Gas | 9.52 × 2 | | 9.52 × 2 | |
| Max. Pipe Length | Total/Each | 30/20 | | 30/20 | |
| Max. Height Difference | Between Outdoor Unit and Each Indoor Unit | 15 m | | 15 | |
| | Between Indoor Units | 10 | | 10 | |
| Operating Range | Cooling | -10 to 46 °CDB | | -10 to 46 | |
| | Heating | -15 to 24 | | -15 to 24 | |
| Refrigerant | Type (Global Warming Potential) | R32 (675) | | R32 (675) | |
| | Charge | 0.9 (0.608) kg (CO2eq-T) | | 1.02 (0.689) | |

Specifications (3-unit)

| Model name | | AOYG18KBT3 | | AOYG24KBT3 | |
|------------------------------|---|-------------------------------|--|--|--|
| Power Source | | Single phase, ~230 V, 50 Hz | | | |
| Rated Capacity (Min. - Max.) | Cooling | 5.4 (1.8-7.0) | | 6.8 (1.8-8.5) | |
| | Heating | 6.8 (2.0-8.0) | | 8.0 (2.0-9.2) | |
| EER | Cooling | 4.78 | | 3.90 | |
| | Heating | 4.89 | | 4.40 | |
| Sound Pressure Level (High) | Cooling | 46 | | 48 | |
| | Heating | 49 | | 53 | |
| Sound Power Level (High) | Cooling | 59 | | 61 | |
| | Heating | 61 | | 67 | |
| Airflow Rate | Cooling/Heating | 2,220/2,160 m ³ /h | | 2,270/2,730 | |
| Net Dimensions H × W × D | | 716 × 820 × 315 mm | | 716 × 820 × 315 | |
| Weight | | 46 (102) kg (lbs) | | 46 (102) | |
| Connection Pipe Diameter | Liquid | 6.35 × 3 mm | | 6.35 × 3 | |
| | Gas | 9.52 × 3 | | 9.52 × 2, 12.70 × 1 adapter [12.70 → 9.52] × 1 | |
| Max. Pipe Length | Total/Each | 50/25 | | 50/25 | |
| Max. Height Difference | Between Outdoor Unit and Each Indoor Unit | 15 m | | 15 | |
| | Between Indoor Units | 10 | | 10 | |
| Operating Range | Cooling | -10 to 46 °CDB | | -10 to 46 | |
| | Heating | -15 to 24 | | -15 to 24 | |
| Refrigerant | Type (Global Warming Potential) | R32 (675) | | R32 (675) | |
| | Charge | 1.8 (1.215) kg (CO2eq-T) | | 1.8 (1.215) | |

Specifications (4-unit, 5-unit)

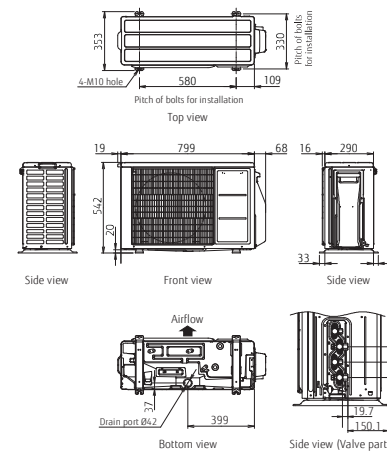
| Model name | | AOYG30KBT4 | | AOYG36KBT5 | |
|------------------------------|---|--|--|---|--|
| Power Source | | Single phase, ~230 V, 50 Hz | | | |
| Rated Capacity (Min. - Max.) | Cooling | 8.0 (2.4-10.1) | | 9.5 (3.0-11.0) | |
| | Heating | 9.6 (3.0-11.2) | | 10.6 (3.5-12.0) | |
| EER | Cooling | 3.90 | | 3.80 | |
| | Heating | 4.55 | | 4.50 | |
| Sound Pressure Level (High) | Cooling | 50 | | 52 | |
| | Heating | 54 | | 55 | |
| Sound Power Level (High) | Cooling | 63 | | 65 | |
| | Heating | 66 | | 68 | |
| Airflow Rate | Cooling/Heating | 2,400/2,950 m ³ /h | | 2,450/2,900 | |
| Net Dimensions H × W × D | | 884 × 820 × 315 mm | | 884 × 820 × 315 | |
| Weight | | 55 (121) kg (lbs) | | 59 (130) | |
| Connection Pipe Diameter | Liquid | 6.35 × 4 mm | | 6.35 × 5 | |
| | Gas | 9.52 × 2, 12.70 × 2 adapter [12.70 → 9.52] × 2 | | 9.52 × 3, 12.70 × 2 adapter [12.70 → 9.52] × 2 adapter [9.52 → 12.70] × 1 | |
| Max. Pipe Length* | Total/Each | 70/25 | | 75/25 | |
| Max. Height Difference | Between Outdoor Unit and Each Indoor Unit | 15 m | | 15 | |
| | Between Indoor Units | 10 | | 10 | |
| Operating Range | Cooling | -10 to 46 °CDB | | -10 to 46 | |
| | Heating | -15 to 24 | | -15 to 24 | |
| Refrigerant | Type (Global Warming Potential) | R32 (675) | | R32 (675) | |
| | Charge | 2.2 (1.485) kg (CO2eq-T) | | 2.5 (1.688) | |

*Length not applicable when floor units are connected. For details, refer to the installation manual.

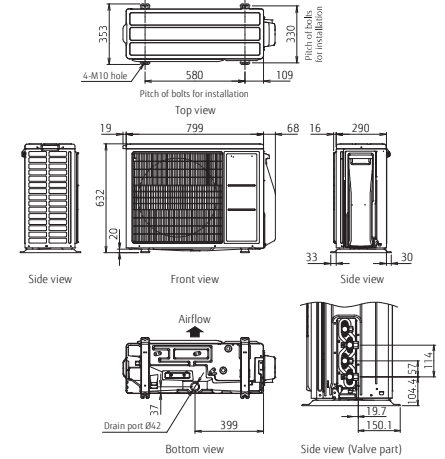
Dimensions

(Unit: mm)

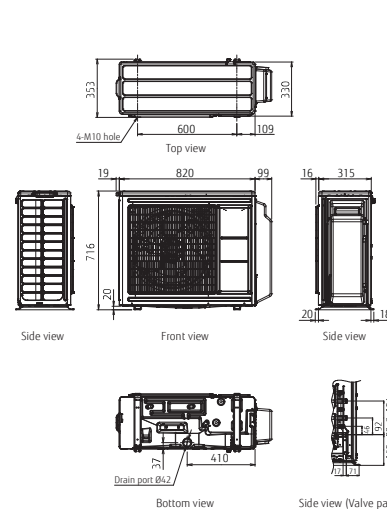
2-unit: AOYG14KBT2



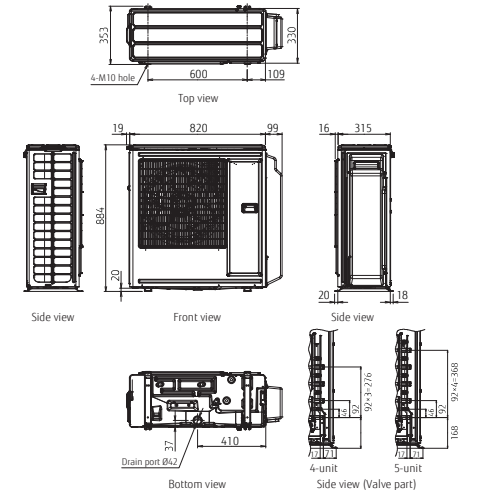
2-unit: AOYG18KBT2



3-unit: AOYG18KBT3/AOYG24KBT3



**4-unit: AOYG30KBT4
5-unit: AOYG36KBT5**





2-unit to 5-unit Multi-split Indoor Units Specifications

Wall-mounted type

| Model name | Indoor unit | | ASVG07KETE | ASVG09KETE | ASVG12KETE | ASVG14KETE |
|--------------------------|-----------------------------|---------|-------------------|-----------------|-----------------|-----------------|
| kW Class | kW | | 2.0 | 2.5 | 3.5 | 4.0 |
| Power Source | Single phase, ~230 V, 50 Hz | | | | | |
| Sound Pressure Level | Cooling | H/M/L/Q | dB(A) | 40/34/29/21 | | 40/35/30/21 |
| Sound Power Level | Heating | H | dB(A) | 41/35/31/22 | | 42/38/33/22 |
| Level | Cooling | H | dB(A) | 54 | | 55 |
| Level | Heating | H | dB(A) | 56 | | 57 |
| Airflow Rate | Cooling | H/M/L/Q | m ³ /h | 650/540/430/270 | | 700/560/430/270 |
| Airflow Rate | Heating | H/M/L/Q | m ³ /h | 720/580/460/330 | | 800/660/520/340 |
| Net Dimensions | mm | | 270 × 834 × 215 | | 270 × 834 × 215 | 270 × 834 × 215 |
| Weight | kg (lbs) | | 10 (22) | | 10 (22) | 10 (22) |
| Connection Pipe Diameter | Liquid/Gas | mm | 6.35/9.52 | | 6.35/9.52 | 6.35/9.52 |



Wall-mounted type

| Model name | Indoor unit | | ASVG07KETE | ASVG09KETE | ASVG12KETE | ASVG14KETE |
|--------------------------|-----------------------------|---------|----------------------------------|-----------------|----------------------------------|----------------------------------|
| kW Class | kW | | 2.0 | 2.5 | 3.5 | 4.0 |
| Power Source | Single phase, ~230 V, 50 Hz | | | | | |
| Sound Pressure Level | Cooling | H/M/L/Q | dB(A) | 40/34/29/21 | | 40/35/30/21 |
| Sound Power Level | Heating | H | dB(A) | 41/35/31/22 | | 42/38/33/22 |
| Level | Cooling | H | dB(A) | 54 | | 55 |
| Level | Heating | H | dB(A) | 56 | | 57 |
| Airflow Rate | Cooling | H/M/L/Q | m ³ /h | 650/540/430/270 | | 700/560/430/270 |
| Airflow Rate | Heating | H/M/L/Q | m ³ /h | 720/580/460/330 | | 800/660/520/340 |
| Net Dimensions | mm | | 295 × 950 (wall side: 840) × 230 | | 295 × 950 (wall side: 840) × 230 | 295 × 950 (wall side: 840) × 230 |
| Weight | kg (lbs) | | 11(24) | | 11(24) | 11(24) |
| Connection Pipe Diameter | Liquid/Gas | mm | 6.35/9.52 | | 6.35/9.52 | 6.35/9.52 |



Wall-mounted type

| Model name | Indoor unit | | ASVG07KMCE | ASVG09KMCE | ASVG12KMCE | ASVG14KMCE |
|--------------------------|-----------------------------|---------|-------------------|-----------------|-----------------|-----------------|
| kW Class | kW | | 2.0 | 2.5 | 3.5 | 4.0 |
| Power Source | Single phase, ~230 V, 50 Hz | | | | | |
| Sound Pressure Level | Cooling | H/M/L/Q | dB(A) | 40/34/29/21 | | 40/35/30/21 |
| Sound Power Level | Heating | H | dB(A) | 41/35/31/22 | | 42/38/33/22 |
| Level | Cooling | H | dB(A) | 54 | | 55 |
| Level | Heating | H | dB(A) | 56 | | 57 |
| Airflow Rate | Cooling | H/M/L/Q | m ³ /h | 650/540/430/270 | | 700/560/430/270 |
| Airflow Rate | Heating | H/M/L/Q | m ³ /h | 720/580/460/330 | | 800/660/520/340 |
| Net Dimensions | mm | | 270 × 834 × 222 | | 270 × 834 × 222 | 270 × 834 × 222 |
| Weight | kg (lbs) | | 10 (22) | | 10 (22) | 10 (22) |
| Connection Pipe Diameter | Liquid/Gas | mm | 6.35/9.52 | | 6.35/9.52 | 6.35/9.52 |



Wall-mounted type

| Model name | Indoor unit | | ASVG18KMTE | ASVG22KMTE | ASVG24KMTE |
|--------------------------|-----------------------------|---------|-------------------|-------------------|-----------------|
| kW Class | kW | | 5.0 | 6.0 | 7.0 |
| Power Source | Single phase, ~230 V, 50 Hz | | | | |
| Sound Pressure Level | Cooling | H/M/L/Q | dB(A) | 48/40/35/29 | |
| Sound Power Level | Heating | H | dB(A) | 48/40/35/29 | |
| Level | Cooling | H | dB(A) | 60 | |
| Level | Heating | H | dB(A) | 61 | |
| Airflow Rate | Cooling | H/M/L/Q | m ³ /h | 980/810/640/510 | |
| Airflow Rate | Heating | H/M/L/Q | m ³ /h | 1,060/850/640/510 | |
| Net Dimensions | mm | | 280 × 980 × 240 | | 280 × 980 × 240 |
| Weight | kg (lbs) | | 12.5 (27) | | |
| Connection Pipe Diameter | Liquid/Gas | mm | 6.35/12.70 | | |



Floor

| Model name | Indoor unit | | AGYG09KVCA | AGYG12KVCA | AGYG14KVCA |
|--------------------------|-----------------------------|---------|-------------------|-----------------|-----------------|
| kW Class | kW | | 2.5 | 3.5 | 4.0 |
| Power Source | Single phase, ~230 V, 50 Hz | | | | |
| Sound Pressure Level | Cooling | H/M/L/Q | dB(A) | 39/34/28/22 | |
| Sound Power Level | Heating | H | dB(A) | 39/35/30/22 | |
| Level | Cooling | H | dB(A) | 52 | |
| Level | Heating | H | dB(A) | 53 | |
| Airflow Rate | Cooling | H/M/L/Q | m ³ /h | 530/440/360/270 | |
| Airflow Rate | Heating | H/M/L/Q | m ³ /h | 600/490/380/270 | |
| Net Dimensions | mm | | 600 × 740 × 200 | | 600 × 740 × 200 |
| Weight | kg (lbs) | | 14 (31) | | |
| Connection Pipe Diameter | Liquid/Gas | mm | 6.35/9.52 | | |



Ceiling

| Model name | Indoor unit | | ABYG18KRTA | ABYG22KRTA | |
|--------------------------|-----------------------------|---------|-------------------|-----------------|--|
| kW Class | kW | | 5.0 | 6.0 | |
| Power Source | Single phase, ~230 V, 50 Hz | | | | |
| Sound Pressure Level | Cooling | H/M/L/Q | dB(A) | 38/36/33/31 | |
| Sound Power Level | Heating | H | dB(A) | 38/36/33/31 | |
| Level | Cooling | H | dB(A) | 53 | |
| Level | Heating | H | dB(A) | 53 | |
| Airflow Rate | Cooling | H/M/L/Q | m ³ /h | 840/790/710/650 | |
| Airflow Rate | Heating | H/M/L/Q | m ³ /h | 900/790/710/650 | |
| Net Dimensions | mm | | 235 × 1,080 × 705 | | |
| Weight | kg (lbs) | | 24(52) | | |
| Connection Pipe Diameter | Liquid/Gas | mm | 6.35/12.70 | | |



Compact Cassette Grid Type

| Model name | Indoor unit | | AUXG07KVLA | AUXG09KVLA | AUXG12KVLA | AUXG14KVLA | AUXG18KVLA | AUXG22KVLA |
|--------------------------|-----------------------------|---------|-------------------|-----------------|-----------------|-----------------|-----------------|-----------------|
| kW Class | kW | | 2.0 | 2.5 | 3.5 | 4.0 | 5.0 | 6.0 |
| Power Source | Single phase, ~230 V, 50 Hz | | | | | | | |
| Sound Pressure Level | Cooling | H/M/L/Q | dB(A) | 33/31/29/27 | | 37/34/31/28 | | 38/35/32/29 |
| Sound Power Level | Heating | H | dB(A) | 34/32/29/27 | | 34/32/29/27 | | 43/38/34/30 |
| Level | Cooling | H | dB(A) | 46 | | 46 | | 50 |
| Level | Heating | H | dB(A) | 47 | | 49 | | 55 |
| Airflow Rate | Cooling | H/M/L/Q | m ³ /h | 540/490/440/390 | | 540/490/440/390 | | 610/530/470/410 |
| Airflow Rate | Heating | H/M/L/Q | m ³ /h | 540/490/440/390 | | 540/490/440/390 | | 790/680/580/450 |
| Net Dimensions | mm | | 245 × 570 × 570 | | 245 × 570 × 570 | | 245 × 570 × 570 | |
| Weight | kg (lbs) | | 15 (33) | | 15 (33) | | 15 (33) | |
| Connection Pipe Diameter | Liquid/Gas | mm | UTG-UPYF-W | | UTG-UPYF-W | | UTG-UPYF-W | |
| | | | 6.35/9.52 | | 6.35/9.52 | | 6.35/9.52 | |



Mini duct

| Model name | Indoor unit | | ARXG07KSLAP | ARXG09KSLAP | ARXG12KSLAP | ARXG14KSLAP | ARXG18KSLAP |
|--------------------------|-----------------------------|---------|-------------------|-----------------|-----------------|-----------------|-----------------|
| kW Class | kW | | 2.0 | 2.5 | 3.5 | 4.0 | 5.0 |
| Power Source | Single phase, ~230 V, 50 Hz | | | | | | |
| Sound Pressure Level | Cooling | H/M/L/Q | dB(A) | 29/26/24/23 | | 31/27/25/23 | |
| Sound Power Level | Heating | H | dB(A) | 29/26/24/23 | | 31/27/25/23 | |
| Level | Cooling | H | dB(A) | 52 | | 54 | |
| Level | Heating | H | dB(A) | 53 | | 57 | |
| Airflow Rate | Cooling | H/M/L/Q | m ³ /h | 550/440/390/360 | | 600/450/400/360 | |
| Airflow Rate | Heating | H/M/L/Q | m ³ /h | 550/440/390/360 | | 600/450/400/360 | |
| Net Dimensions | mm | | 198 × 700 × 450 | | 198 × 700 × 450 | | 198 × 700 × 450 |
| Weight | kg (lbs) | | 15.5 (34) | | 15.5 (34) | | 15.5 (34) |
| Connection Pipe Diameter | Liquid/Gas | mm | 6.35/9.52 | | 6.35/9.52 | | 6.35/9.52 |
| External static pressure | Pa | | 0 to 30 | | 0 to 30 | | 0 to 50 |
| Drain pump | | | Standard | | Standard | | Standard |



Slim duct

| Model name | Indoor unit | | ARXG07KLLAP | ARXG09KLLAP | ARXG12KLLAP | ARXG14KLLAP | ARXG18KLLAP |
|--------------------------|-----------------------------|---------|-------------------|-----------------|-----------------|-----------------|-----------------|
| kW Class | kW | | 2.0 | 2.5 | 3.5 | 4.0 | 5.0 |
| Power Source | Single phase, ~230 V, 50 Hz | | | | | | |
| Sound Pressure Level | Cooling | H/M/L/Q | dB(A) | 28/26/25/24 | | 28/26/25/24 | |
| Sound Power Level | Heating | H | dB(A) | 28/26/25/24 | | 28/26/25/24 | |
| Level | Cooling | H | dB(A) | 57 | | 57 | |
| Level | Heating | H | dB(A) | 57 | | 58 | |
| Airflow Rate | Cooling | H/M/L/Q | m ³ /h | 550/490/470/440 | | 600/550/500/450 | |
| Airflow Rate | Heating | H/M/L/Q | m ³ /h | 550/490/470/440 | | 600/550/500/450 | |
| Net Dimensions | mm | | 198 × 700 × 620 | | 198 × 700 × 620 | | 198 × 700 × 620 |
| Weight | kg (lbs) | | 16 (35) | | 17 (37) | | 17 (37) |
| Connection Pipe Diameter | Liquid/Gas | mm | 6.35/9.52 | | 6.35/9.52 | | 6.35/9.52 |
| External static pressure | Pa | | 0 to 90 | | 0 to 90 | | 0 to 90 |
| Drain pump | | | Standard | | Standard | | Standard |



Medium Static Pressure Duct

| Model name | Indoor unit | | ARXG22KMLB |
|--------------------------|-----------------------------|---------|-------------------|
| kW Class | kW | | 6.0 |
| Power Source | Single phase, ~230 V, 50 Hz | | |
| Sound Pressure Level | Cooling | H/M/L/Q | dB(A) |
| Sound Power Level | Heating | H | dB(A) |
| Level | Cooling | H | dB(A) |
| Level | Heating | H | dB(A) |
| Airflow Rate | Cooling | H/M/L/Q | m ³ /h |
| Airflow Rate | Heating | H/M/L/Q | m ³ /h |
| Net Dimensions | mm | | 270 × 1,135 × 700 |
| Weight | kg (lbs) | | 35 (77) |
| Connection Pipe Diameter | Liquid/Gas | mm | 6.35/12.70 |
| External static pressure | Pa | | 30 to 150 |
| Drain pump | | | Standard |



