

2-unit to 8-unit Multi-split Connectable Indoor Units



Type	2-unit		3-unit		4-unit	5-unit
Model name	AOYG14KBT2	AOYG18KBT2	AOYG18KBT3	AOYG24KBT3	AOYG30KBT4	AOYG36KBT5
Multi-split Type Outdoor Unit						
Capacity (kW)	Cooling: 4.0 Heating: 4.4	Cooling: 5.0 Heating: 5.6	Cooling: 5.4 Heating: 6.8	Cooling: 6.8 Heating: 8.0	Cooling: 8.0 Heating: 9.6	Cooling: 9.5 Heating: 10.6

Indoor Unit	BTU	kW Class	2-unit	3-unit	4-unit	5-unit
ASYG07/09/12/14KGT	7,000	2.0	●	●	●	●
ASYG07/09/12/14KETE	9,000	2.5	●	●	●	●
ASYG07/09/12/14KMCE	12,000	3.5	●	●	●	●
ASYG07/09/12/14KETE-B	14,000	4.0	—	●	●	●
ASYG18/22/24KMTE	18,000	5.0	—	—	●	●
	22,000	6.0	—	—	—	●
	24,000	7.0	—	—	—	●
AGYG09/12/14KVCA	9,000	2.5	●	●	●	●
	12,000	3.5	●	●	●	●
	14,000	4.0	—	●	●	●
AUXG07/09/12/14/18/22KVLV	7,000	2.0	●	●	●	●
	9,000	2.5	●	●	●	●
	12,000	3.5	●	●	●	●
	14,000	4.0	—	●	●	●
	18,000	5.0	—	—	●	●
	22,000	6.0	—	—	—	●
ARXG07/09/12/14/18KSLAP	7,000	2.0	●	●	●	●
	9,000	2.5	●	●	●	●
	12,000	3.5	●	●	●	●
	14,000	4.0	—	●	●	●
	18,000	5.0	—	—	●	●
ARXG07/09/12/14/18KLLAP	7,000	2.0	●	●	●	●
	9,000	2.5	●	●	●	●
	12,000	3.5	●	●	●	●
	14,000	4.0	—	●	●	●
	18,000	5.0	—	—	●	●
ARXG22KMLB	22,000	6.0	—	—	—	●
ABYG18/22KRTA	18,000	5.0	—	—	●	●
	22,000	6.0	—	—	—	●



Type	6-unit	8-unit
Model name	AOYG45LBA6	AOYG45LBT8
Multi-split Type Outdoor Unit		
Capacity (kW)	Cooling: 12.5 Heating: 13.5	Cooling: 14.0 Heating: 16.0

Indoor Unit	BTU	kW Class	6-unit	8-unit
ASYG07/09/12/14LMCE	7,000	2.0	●	●
	9,000	2.5	●	●
ASYG07/09/12/14LUCA	12,000	3.5	●	●
	14,000	4.0	●	●
ASYG18/24LF	18,000	5.0	●	●
	24,000	7.0	●	●
AGYG09/12/14LV	9,000	2.5	●	●
	12,000	3.5	●	●
	14,000	4.0	●	●
AUYG07/09/12/14/18LV	7,000	2.0	●	●
	9,000	2.5	●	●
	12,000	3.5	●	●
	14,000	4.0	●	●
	18,000	5.0	●	●
ABYG14LVTA	14,000	4.0	●	●
ABYG18LVTB	18,000	5.0	●	●
ARYG07/09/12/14/18LSLAP	7,000	2.0	●	—
	9,000	2.5	●	—
	12,000	3.5	●	—
	14,000	4.0	●	—
	18,000	5.0	●	—
ARYG07/09/12/14/18LL	7,000	2.0	●	●
	9,000	2.5	●	●
	12,000	3.5	●	●
	14,000	4.0	●	●
	18,000	5.0	●	●



6-unit: A0YG45LBLA6



A wide variety of models to choose from

We offer 16 models in 4 types in a capacity range from 2.0 kW to 4.0 kW. Wide range of requirements can be realized from private homes through to large shops and hotels.



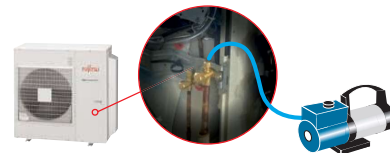
Compact design

Multiple indoor units can be connected to 1 outdoor unit by long piping as well. Unlike a single type, the outdoor unit can be installed in the most space-saving location.



Easy installation

All connected pipes and indoor units can be evacuated quickly via our centralized valve method. Requires evacuation only once.



Central & Individual Control

- Batched control of up to 8 indoor units. Unified setting of room temperature, airflow volume, and local control restrictions across units.
- Language can be selected from English, French, German, Greek, Italian, Portuguese, Russian, Spanish, or Turkish.
- Large backlit LED screen
- Large easy-to-see operation panel

Max. Controllable
1 multi-system

Max. Controllable
8 indoor units

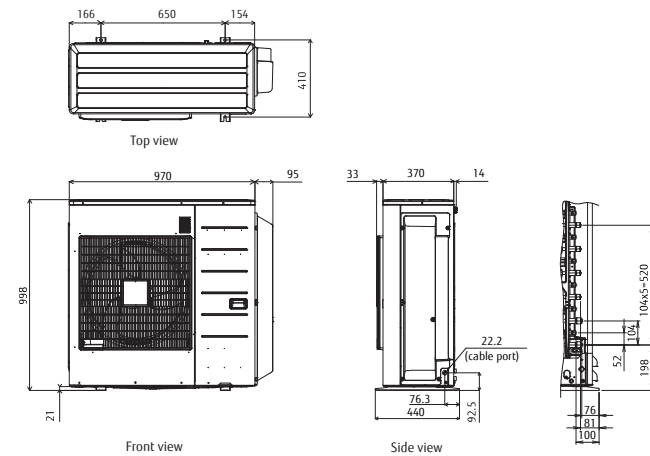


Specifications (5-unit, 6-unit)

Model name			A0YG45LBLA6
Power Source			Single phase, ~230 V, 50 Hz
Rated Capacity (Min. - Max.)	Cooling	kW	12.5 (3.5-14.0)
	Heating		13.5 (3.5-16.0)
EER	Cooling	W/W	3.50
	Heating		4.00
COP	Cooling	dB(A)	53
	Heating		55
Sound Pressure Level (High)	Cooling	-	-
	Heating		-
Airflow Rate	Cooling/Heating	m ³ /h	4,200/4,200
Net Dimensions H × W × D			998 × 970 × 370
Weight			94 (207) kg (lbs)
Connection Pipe Diameter	Liquid	mm	6.35 × 6
	Gas		9.52 × 4, 12.70 × 2
Max. Pipe Length			80/25
Max. Height Difference	Between Outdoor Unit and Each Indoor Unit.		m
	Between Indoor Units.		
Operating Range	Cooling	°CDB	-10 to 46
	Heating		-15 to 24
Refrigerant	Type (Global Warming Potential)	R410A (2,088)	
	Charge	kg (CO ₂ eq-T)	4.00 (8.352)

Dimensions

(Unit: mm)



6-unit to 8-unit Multi-split Indoor Units Specifications

Compact wall-mounted



Model name		Indoor unit		ASVG07LUCA	ASVG09LUCA	ASVG12LUCA	ASVG14LUCA
kW Class		kW		2.0	2.5	3.5	4.0
Power Source				Single phase, ~230 V, 50 Hz			
Sound Pressure Level	Cooling	H/M/L/Q	dB(A)	35/30/28/21	36/32/28/21	37/34/31/21	41/36/33/25
	Heating			35/30/28/21	36/32/28/21	37/34/31/21	41/36/34/27
Sound Power Level	Cooling	H	dB(A)	53	54	55	59
	Heating			53	54	55	59
Airflow Rate	Cooling	H/M/L/Q	m³/h	570/520/470/330	600/550/470/330	660/600/530/330	710/640/570/390
	Heating			570/520/470/330	600/550/470/330	660/600/530/330	710/640/590/430
Net Dimensions		mm		282 × 870 × 185	282 × 870 × 185	282 × 870 × 185	282 × 870 × 185
Weight		kg (lbs)		9.5 (21)	9.5 (21)	9.5 (21)	9.5 (21)
Connection Pipe Diameter		Liquid/Gas mm		6.35/9.52	6.35/9.52	6.35/9.52	6.35/12.70

Wall-mounted type



Model name		Indoor unit		ASVG18LFCA	ASVG24LFCC
kW Class		kW		5.0	7.0
Power Source				Single phase, ~230 V, 50 Hz	
Sound Pressure Level	Cooling	H/M/L/Q	dB(A)	43/37/33/26	49/42/37/33
	Heating			42/37/33/25	48/42/37/33
Sound Power Level	Cooling	H	dB(A)	58	64
	Heating			58	64
Airflow Rate	Cooling	H/M/L/Q	m³/h	900/740/620/550	1,120/900/740/620
	Heating			900/740/620/550	1,100/900/740/620
Net Dimensions		mm		320 × 998 × 238	320 × 998 × 238
Weight		kg (lbs)		14 (31)	14 (31)
Connection Pipe Diameter		Liquid/Gas mm		6.35/12.70	6.35/15.88

Compact wall-mounted



Model name		Indoor unit		ASVG07LMCE	ASVG09LMCE	ASVG12LMCE	ASVG14LMCE
kW Class		kW		2.0	2.5	3.5	4.0
Power Source				Single phase, ~230 V, 50 Hz			
Sound Pressure Level	Cooling	H/M/L/Q	dB(A)	36/32/29/21	37/33/29/21	40/36/30/21	42/38/33/25
	Heating			36/32/29/22	37/33/29/22	40/36/31/22	42/38/35/27
Sound Power Level	Cooling	H	dB(A)	51	52	54	56
	Heating			51	52	55	57
Airflow Rate	Cooling	H/M/L/Q	m³/h	560/500/430/310	600/520/430/310	660/560/450/310	730/600/530/360
	Heating			560/500/430/330	600/520/430/330	660/560/470/330	730/615/560/375
Net Dimensions		mm		270 × 870 × 204	270 × 870 × 204	270 × 870 × 204	270 × 870 × 204
Weight		kg (lbs)		8.5 (19)	8.5 (19)	8.5 (19)	8.5 (19)
Connection Pipe Diameter		Liquid/Gas mm		6.35/9.52	6.35/9.52	6.35/9.52	6.35/12.70

Floor



Model name		Indoor unit		AGYG09LVCA	AGYG12LVCA	AGYG14LVCA
kW Class		kW		2.5	3.5	4.0
Power Source				Single phase, ~230 V, 50 Hz		
Sound Pressure Level	Cooling	H/M/L/Q	dB(A)	39/34/28/22	42/36/30/22	44/38/31/22
	Heating			39/35/30/22	42/38/32/22	44/39/33/22
Sound Power Level	Cooling	H	dB(A)	52	55	56
	Heating			52	55	56
Airflow Rate	Cooling	H/M/L/Q	m³/h	530/440/360/270	600/490/380/270	650/520/400/270
	Heating			530/460/380/270	600/510/410/270	650/540/430/270
Net Dimensions		mm		600 × 740 × 200	600 × 740 × 200	600 × 740 × 200
Weight		kg (lbs)		14 (31)	14 (31)	14 (31)
Connection Pipe Diameter		Liquid/Gas mm		6.35/9.52	6.35/9.52	6.35/12.70

Floor ceiling



Model name		Indoor unit		ABYG14LVTA	ABYG18LVTB
kW Class		kW		4.0	5.0
Power Source				Single phase, ~230 V, 50 Hz	
Sound Pressure Level	Cooling	H/M/L/Q	dB(A)	36/34/33/29 (Under ceiling) 39/37/36/32 (Floor console)	41/38/34/32 (Under ceiling) 44/41/37/35 (Floor console)
	Heating			36/34/33/29 (Under ceiling) 39/37/36/32 (Floor console)	41/38/34/32 (Under ceiling) 44/41/37/35 (Floor console)
Sound Power Level	Cooling	H	dB(A)	51	55
	Heating			51	55
Airflow Rate	Cooling	H/M/L/Q	m³/h	640/590/540/480	780/700/560/500
	Heating			640/590/540/480	780/700/560/500
Net Dimensions		mm		199 × 990 × 655	199 × 990 × 655
Weight		kg (lbs)		27 (60)	27 (60)
Connection Pipe Diameter		Liquid/Gas mm		6.35/12.70	6.35/12.70

Compact cassette



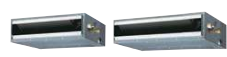
Model name		Indoor unit		AUYG07LVLA	AUYG09LVLA	AUYG12LVLB	AUYG14LVLB	AUYG18LVLB
kW Class		kW		2.0	2.5	3.5	4.0	5.0
Power Source				Single phase, ~230 V, 50 Hz				
Sound Pressure Level	Cooling	H/M/L/Q	dB(A)	33/31/29/27	33/31/29/27	37/33/31/28	40/35/32/29	42/37/33/29
	Heating			34/32/29/27	34/32/29/27	37/33/31/28	40/37/34/29	44/40/37/30
Sound Power Level	Cooling	H	dB(A)	46	46	49	52	54
	Heating			47	47	49	52	56
Airflow Rate	Cooling	H/M/L/Q	m³/h	540/490/440/390	540/490/440/390	610/530/470/410	680/580/490/410	750/610/520/410
	Heating			540/490/440/390	540/490/440/390	610/530/470/410	700/620/550/430	800/710/600/450
Net Dimensions		mm		245 × 570 × 570	245 × 570 × 570	245 × 570 × 570	245 × 570 × 570	245 × 570 × 570
Weight		kg (lbs)		15 (33)	15 (33)	15 (33)	15 (33)	15 (33)
Panel				UTG-LFYD-W				
Connection Pipe Diameter		Liquid/Gas mm		6.35/9.52	6.35/9.52	6.35/9.52	6.35/12.70	6.35/12.70

Mini duct



Model name		Indoor unit		ARYG07LSLAP	ARYG09LSLAP	ARYG12LSLAP	ARYG14LSLAP	ARYG18LSLAP
kW Class		kW		2.0	2.5	3.5	4.0	5.0
Power Source				Single phase, ~230 V, 50 Hz				
Sound Pressure Level	Cooling	H/M/L/Q	dB(A)	29/26/24/23	29/26/24/23	31/27/25/23	35/30/27/23	33/29/26/23
	Heating			29/26/24/23	29/26/24/23	31/27/25/23	35/30/27/23	33/29/26/23
Sound Power Level	Cooling	H	dB(A)	52	54	55	60	58
	Heating			53	56	57	62	59
Airflow Rate	Cooling	H/M/L/Q	m³/h	550/440/390/360	600/450/400/360	650/490/430/360	800/640/530/360	940/750/540/480
	Heating			550/440/390/360	600/450/400/360	650/490/430/360	800/640/530/360	940/750/540/480
Net Dimensions		mm		198 × 700 × 450	198 × 700 × 450	198 × 700 × 450	198 × 700 × 450	198 × 900 × 450
Weight		kg (lbs)		15.5 (33)			18.5 (41)	
Connection Pipe Diameter		Liquid/Gas mm		6.35/9.52			6.35/12.70	
External static pressure		Pa		0 to 30			0 to 50	
Drain pump				Standard				

Slim duct



Model name		Indoor unit		ARYG07LLTA	ARYG09LLTA	ARYG12LLTB	ARYG14LLTB	ARYG18LLTB
kW Class		kW		2.0	2.5	3.5	4.0	5.0
Power Source				Single phase, ~230 V, 50 Hz				
Sound Pressure Level	Cooling	H/M/L/Q	dB(A)	28/26/25/24	28/27/26/25	29/28/27/26	32/30/28/26	32/31/30/29
	Heating			28/26/25/24	28/26/25/24	29/28/27/26	33/30/28/25	33/32/31/29
Sound Power Level	Cooling	H	dB(A)	57	57	58	60	58
	Heating			57	57	58	61	59
Airflow Rate	Cooling	H/M/L/Q	m³/h	550/490/470/440	600/550/500/450	650/600/550/480	800/700/600/480	940/880/820/750
	Heating			550/490/470/440	600/550/500/450	650/600/550/480	800/700/600/480	940/880/820/750
Net Dimensions		mm		198 × 700 × 620	198 × 700 × 620	198 × 700 × 620	198 × 900 × 620	198 × 900 × 620
Weight		kg (lbs)		17 (37)	19 (42)	19 (42)	19 (42)	23 (51)
Connection Pipe Diameter		Liquid/Gas mm		6.35/9.52	6.35/9.52	6.35/9.52	6.35/12.7	6.35/12.70
External static pressure		Pa		0 to 90				
Drain pump				Standard				



6-unit Multi-split Multi Combination Table-Cooling/Heating

6-unit Multi-split cooling

AOYGSLBLA6	Combination of Indoor Units	Cooling Operation										EER
		Cooling Capacity						Total Capacity (Min.-Max.)	Input Power			
		Unit 1 kW	Unit 2 kW	Unit 3 kW	Unit 4 kW	Unit 5 kW	Unit 6 kW		(Min.-Max.)	(Min.-Max.)		
7/7/7/7/7/7	2.00	2.00	2.00	2.00	2.00	2.00	12.0 (8.5-13.4)	3.32	8.13	3.61		
7/7/7/7/7/12	1.86	1.86	1.86	1.86	1.86	3.20	12.5 (8.5-14.0)	3.57	8.48	3.52		
7/7/7/7/12/14	1.79	1.79	1.79	1.79	1.79	3.55	12.5 (8.5-14.0)	3.54	8.48	3.53		
7/7/7/7/7/18	1.65	1.65	1.65	1.65	1.65	4.25	12.5 (8.5-14.0)	3.51	8.48	3.56		
7/7/7/7/7/24	1.48	1.48	1.48	1.48	1.48	5.10	12.5 (8.5-14.0)	3.48	8.48	3.59		
7/7/7/7/9/9	1.90	1.90	1.90	1.90	2.65	2.65	12.5 (8.5-14.0)	3.56	8.48	3.51		
7/7/7/7/9/12	1.79	1.79	1.79	1.79	2.29	3.05	12.5 (8.5-14.0)	3.54	8.48	3.53		
7/7/7/7/9/16	1.72	1.72	1.72	1.72	2.20	3.42	12.5 (8.5-14.0)	3.53	8.48	3.54		
7/7/7/7/9/18	1.59	1.59	1.59	1.59	2.05	4.09	12.5 (8.5-14.0)	3.50	8.48	3.57		
7/7/7/7/9/24	1.43	1.43	1.43	1.43	1.85	4.93	12.5 (8.5-14.0)	3.47	8.48	3.60		
7/7/7/7/12/12	1.68	1.68	1.68	1.68	2.89	2.89	12.5 (8.5-14.0)	3.52	8.48	3.55		
7/7/7/7/12/14	1.62	1.62	1.62	1.62	2.78	3.24	12.5 (8.5-14.0)	3.51	8.48	3.56		
7/7/7/7/12/18	1.51	1.51	1.51	1.51	2.59	3.87	12.5 (8.5-14.0)	3.48	8.48	3.59		
7/7/7/7/14/14	1.56	1.56	1.56	1.56	3.13	3.13	12.5 (8.5-14.0)	3.50	8.48	3.57		
7/7/7/7/14/18	1.46	1.46	1.46	1.46	2.92	3.74	12.5 (8.5-14.0)	3.47	8.48	3.60		
7/7/7/9/9/9	1.82	1.82	1.82	2.34	2.34	2.34	12.5 (8.5-14.0)	3.55	8.48	3.52		
7/7/7/9/9/12	1.72	1.72	1.72	2.21	2.21	2.92	12.5 (8.5-14.0)	3.53	8.48	3.54		
7/7/7/9/9/16	1.65	1.65	1.65	2.12	2.12	3.31	12.5 (8.5-14.0)	3.51	8.48	3.56		
7/7/7/9/9/18	1.54	1.54	1.54	1.97	1.97	3.94	12.5 (8.5-14.0)	3.49	8.48	3.58		
7/7/7/9/12/12	1.62	1.62	1.62	2.08	2.08	2.78	12.5 (8.5-14.0)	3.51	8.48	3.56		
7/7/7/9/12/14	1.56	1.56	1.56	2.01	2.68	3.13	12.5 (8.5-14.0)	3.50	8.48	3.57		
7/7/7/9/12/18	1.46	1.46	1.46	1.88	2.50	3.74	12.5 (8.5-14.0)	3.47	8.48	3.60		
7/7/7/9/14/14	1.51	1.51	1.51	1.93	3.02	3.02	12.5 (8.5-14.0)	3.48	8.48	3.59		
7/7/7/9/14/18	1.46	1.46	1.46	1.86	2.83	3.63	12.5 (8.5-14.0)	3.49	8.48	3.58		
7/7/7/9/12/14/14	1.43	1.43	1.43	2.54	2.54	2.87	12.5 (8.5-14.0)	3.47	8.48	3.60		
7/7/7/9/9/9/18	1.68	1.68	1.68	1.91	1.91	3.81	12.5 (8.5-14.0)	3.48	8.48	3.59		
7/7/7/9/9/9/12	1.65	1.65	1.65	2.12	2.12	3.84	12.5 (8.5-14.0)	3.51	8.48	3.56		
7/7/7/9/9/12/16	1.59	1.59	2.05	2.05	2.05	3.17	12.5 (8.5-14.0)	3.50	8.48	3.57		
7/7/7/9/9/12/18	1.41	1.41	1.81	1.81	2.67	3.64	12.5 (8.5-14.0)	3.46	8.48	3.61		
7/7/7/9/9/14/14	1.46	1.46	1.88	1.88	2.91	2.91	12.5 (8.5-14.0)	3.47	8.48	3.60		
7/7/7/9/12/12/14	1.48	1.48	1.92	2.54	2.54	2.54	12.5 (8.5-14.0)	3.48	8.48	3.59		
7/7/7/9/12/12/14/18	1.43	1.43	1.85	2.46	2.46	2.87	12.5 (8.5-14.0)	3.47	8.48	3.60		
7/7/7/9/12/12/14/18	1.41	1.41	2.42	2.42	2.42	2.42	12.5 (8.5-14.0)	3.46	8.48	3.61		
7/9/9/9/9/9/9	1.70	2.16	2.16	2.16	2.16	2.16	12.5 (8.5-14.0)	3.52	8.48	3.55		
7/9/9/9/9/12/12	1.59	2.05	2.05	2.05	2.05	2.71	12.5 (8.5-14.0)	3.50	8.48	3.57		
7/9/9/9/9/14/14	1.54	1.97	1.97	1.97	1.97	3.08	12.5 (8.5-14.0)	3.49	8.48	3.58		
7/9/9/9/12/12/14	1.50	1.94	1.94	1.94	2.59	2.59	12.5 (8.5-14.0)	3.48	8.48	3.59		
7/9/9/9/12/14/14	1.46	1.88	1.88	1.88	2.50	2.90	12.5 (8.5-14.0)	3.47	8.48	3.60		
7/9/9/9/12/12/14/18	1.44	1.84	1.84	2.46	2.46	3.60	12.5 (8.5-14.0)	3.47	8.48	3.60		
7/9/9/9/9/9/12/18	2.08	2.08	2.08	2.08	2.08	2.08	12.5 (8.5-14.0)	3.51	8.48	3.56		
7/9/9/9/9/12/18/18	1.97	1.97	1.97	1.97	2.65	2.65	12.5 (8.5-14.0)	3.49	8.48	3.58		
7/9/9/9/9/12/12/18/18	1.88	1.88	1.88	2.69	2.69	2.69	12.5 (8.5-14.0)	3.47	8.48	3.60		

Notes: *7: 7000 Btu/h/9: 9000 Btu/h/12: 12000 Btu/h/14: 14000 Btu/h/18: 18000 Btu/h/24: 24000 Btu/h models

- *The above specifications apply when connected with a wall-mounted unit.
- *2 or more indoor units should be connected.
- *Cooling capacity is determined based on 27°CDB/19°CWB (indoor temperature) and 35°CDB (outdoor temperature).
- *Pipe Length: 5 m, Height difference: 0 m (Outdoor unit to Indoor unit)
- *Total capacity of indoor units connected must be between 9.5 kW and 18.0 kW.

6-unit Multi-split heating

AOYGSLBLA6	Combination of Indoor Units	Heating Operation										COP		
		Heating Capacity						Total Capacity (Min.-Max.)	Input Power					
		Unit 1 kW	Unit 2 kW	Unit 3 kW	Unit 4 kW	Unit 5 kW	Unit 6 kW		(Min.-Max.)	(Min.-Max.)				
12/24	-	-	-	-	-	4.07	8.13	-	-	-	12.2 (8.5-13)	3.41	10.73	3.58
14/24	-	-	-	-	-	4.61	7.89	-	-	-	12.5 (8.5-13.8)	3.56	10.73	3.51
18/18	-	-	-	-	-	6.10	6.10	-	-	-	12.2 (8.5-13.1)	3.41	10.73	3.58
18/24	-	-	-	-	-	5.66	7.56	-	-	-	12.2 (8.5-13.1)	3.41	10.73	3.49
24/24	-	-	-	-	-	6.75	6.75	-	-	-	13.5 (8.5-16.0)	3.89	10.74	3.47
7/7/24	-	-	-	-	-	2.30	2.30	2.90	-	-	13.5 (8.5-13.8)	3.43	10.73	3.64
7/9/18	-	-	-	-	-	2.35	3.02	6.03	-	-	13.4 (8.5-12.4)	2.98	10.73	3.83
7/9/24	-	-	-	-	-	2.24	2.88	7.68	-	-	12.8 (8.5-14.5)	3.54	10.73	3.62
7/12/18	-	-	-	-	-	2.33	3.99	5.98	-	-	13.3 (8.5-13.5)	3.35	10.73	3.67
7/12/24	-	-	-	-	-	2.17	3.71	4.42	-	-	13.3 (8.5-15.6)	3.69	10.74	3.60
7/14/14	-	-	-	-	-	2.40	4.80	4.80	-	-	12.0 (8.5-12.7)	3.15	10.74	3.81
7/14/18	-	-	-	-	-	2.28	4.56	5.86	-	-	12.7 (8.5-14.2)	3.49	10.73	3.64
7/16/24	-	-	-	-	-	2.10	4.20	2.20	-	-	13.5 (8.5-16.0)	3.75	10.74	3.61
7/18/18	-	-	-	-	-	2.16	5.57	5.57	-	-	13.3 (8.5-15.6)	3.69	10.74	3.60
7/18/24	-	-	-	-	-	1.93	4.96	6.61	-	-	13.5 (8.5-16.0)	3.76	10.74	3.61
7/24/24	-	-	-	-	-	1.72	3.69	3.69	-	-	13.5 (8.5-16.0)	3.72	10.74	3.63
9/9/18	-	-	-	-	-	3.05	3.05	6.10	-	-	12.2 (8.5-13.1)	3.28	10.73	3.72
9/9/24	-	-	-	-	-	2.83	2.83	7.54	-	-	13.2 (8.5-15.3)	3.64	10.74	3.63
9/12/14	-	-	-	-	-	3.09	4.11	4.80	-	-	12.0 (8.5-12.7)	3.15	10.74	3.81
9/12/18	-	-	-	-	-	2.93	3.91	5.86	-	-	12.7 (8.5-14.2)	3.49	10.73	3.64
9/12/24	-	-	-	-	-	2.70	3.60	2.20	-	-	13.5 (8.5-16.0)	3.75	10.74	3.60
9/14/14	-	-	-	-	-	3.00	4.65	4.65	-	-	12.3 (8.5-13.5)	3.35	10.73	3.67
9/14/18	-	-	-	-	-	2.85	4.44	5.71	-	-	13.0 (8.5-14.9)	3.59	10.74	3.62
9/16/24	-	-	-	-	-	2.59	4.02	6.89	-	-	13.5 (8.5-16.0)	3.76	10.74	3.61
9/18/18	-	-	-	-	-	2.70	5.40	5.40	-	-	13.5 (8.5-16.0)	3.75	10.74	3.60
9/18/24	-	-	-	-	-	2.38	4.76	6.36	-	-	13.5 (8.5-16.0)	3.73	10.74	3.62
9/24/24	-	-	-	-	-	2.14	5.68	5.68	-	-	13.5 (8.5-16.0)	3.71	10.74	3.64
12/12/12	-	-	-	-	-	4.07	4.07	4.07	-	-	12.2 (8.5-13.1)	3.28	10.73	3.72
12/12/14	-	-	-	-	-	3.94	3.95	4.61	-	-	13.3 (8.5-13.8)	3.43	10.73	3.64
12/12/18	-	-	-	-	-	3.77	3.77	5.66	-	-	13.2 (8.5-15.3)	3.64	10.74	3.63
12/12/24	-	-	-	-	-	3.38	3.38	3.74	-	-	13.5 (8.5-16.0)	3.76	10.74	3.61
12/14/14	-	-	-	-	-	3.84	4.48	4.48	-	-	12.8 (8.5-14.5)	3.54	10.73	3.62
12/14/18	-	-	-	-	-	3.68	4.30	5.52	-	-	13.5 (8.5-16.0)	3.75	10.74	3.60
12/16/24	-	-	-	-	-	3.00	4.65	4.65	-	-	13.5 (8.5-16.0)	3.75	10.74	3.61
12/18/18	-	-	-	-	-	3.38	5.06	5.06	-	-	13.5 (8.5-16.0)	3.74	10.74	3.61
12/18/24	-	-	-	-	-	3.00	4.50	6.00	-	-	13.5 (8.5-16.0)	3.72	10.74	3.63
12/24/24	-	-	-	-	-	2.70	5.40	4.40	-	-	13.5 (8.5-16.0)	3.75	10.74	3.64
14/14/14	-	-	-	-	-	4.40	4.40	4.40	-	-	13.2 (8.5-15.3)	3.64	10.74	3.60
14/14/18	-	-	-	-	-	4.11	4.11	5.28	-	-	13.5 (8.5-16.0)	3.75	10.74	3.63
14/18/18	-	-	-	-	-	3.15	4.24	6.24	-	-	13.5 (8.5-16.0)	3.75	10.74	3.62
14/18/24	-	-	-	-	-	3.98	4.86	4.86	-	-	13.5 (8.5-16.0)	3.74	10.74	3.61
14/24/24	-	-	-	-	-	3.38	4.34	5.78	-	-	13.5 (8.5-16.0)	3.72	10.74	3.63
18/24/24	-	-	-	-	-	3.06	5.23	5.23	-	-	13.5 (8.5-16.0)	3.70	10.74	3.65
18/18/18	-	-	-	-	-	4.50	4.50	4.50	-	-	13.5 (8.5-16.0)	3.72	10.74	3.63
18/18/24	-	-	-	-	-	4.05	4.05	5.40	-	-	13.5 (8.5-16.0)	3.71	10.74	3.64
7/7/7/14	-	-	-	-	-	2.40	2.40	2.40	4.80	-	12.0 (8.5-12.7)	2.98	10.73	4.03
7/7/7/18	-	-	-	-	-	2.28	2.28	2.28	4.65	6.00	12.7 (8.5-14.2)	3.43	10.73	3.79
7/7/7/24	-	-	-	-	-	2.10	2.10	2.10	7.20	-	13.5 (8.5-16.0)	3.61	10.74	3.74
7/7/9/12	-	-	-	-	-	2.40	2.40	3.09	4.11	-	12.0 (8.5-12.7)	2.98	10.73	4.03
7/7/9/16	-	-	-	-	-	2.33	2.33	2.99	4.65	6.00				

