

## Slim Duct

Slim & Comfort



### Slim design

The slim design allows installations where ceilings are narrow. Drain hose as standard accessory



### Compact and lightweight outdoor unit

Compact and lightweight outdoor unit expands a wider range of choice for installation location. This makes it easier to use this outdoor unit.



### Selectable with a wide range of static pressure

By using the DC fan motor, it is possible to change the static pressure range from 0 to 90 Pa. The change of static pressure range is possible by remote controller.



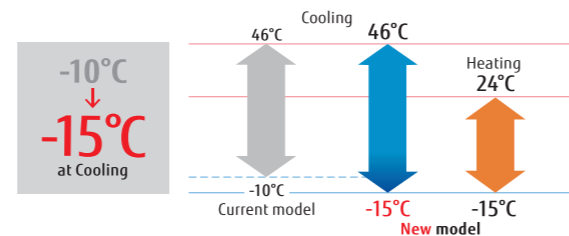
Static pressure range  
0 to 90 Pa

### Auto Louver Grille Kit (Option)

Simple flat Auto Louver will provide comfort airflow and harmonize with luxury interior.



### Low ambient operation



### Model : ARXG09KLLAP / ARXG12KLLAP / ARXG14KLLAP / ARXG18KLLAP



### Specifications

Model No.	Indoor unit		ARXG09KLLAP	ARXG12KLLAP	ARXG14KLLAP	ARXG18KLLAP
	Outdoor unit		AOYG09KBTB	AOYG12KBTB	AOYG14KBTB	AOYG18KBTB
Power Source			Single phase, ~230V, 50Hz			
Capacity	Cooling	kW	2.5 (0.9-3.2)	3.5 (0.9-4.4)	4.3 (0.9-5.4)	5.2 (0.9-5.9)
	Heating		3.2 (0.9-4.7)	4.1 (0.9-5.7)	5.0 (0.9-6.5)	6.0 (0.9-7.5)
Input Power	Cooling/Heating	kW	0.60/0.79	0.93/1.08	1.28/1.32	1.55/1.62
EER	Cooling	W/W	4.17	3.76	3.36	3.35
	Heating		4.05	3.80	3.79	3.70
COP	Cooling	W/W	2.5/2.6	3.5/3.4	4.3/3.8	5.2/4.4
	Heating		6.20	6.10	5.80	6.20
SEER	Cooling	W/W	4.30	4.00	3.90	4.10
	Heating		6.20	6.10	5.80	6.20
SCOP	Cooling	W/W	A++	A++	A+	A++
	Heating		A+	A+	A	A+
Max. Operating Current	Cooling/Heating	A	7.9/7.9	9.7/9.7	10.2/10.2	12.1/12.1
Annual Energy Consumption	Cooling	kWh/a	141	201	259	293
	Heating		845	1,189	1,362	1,501
Moisture Removal	Cooling	l/h	0.7	1.3	1.5	2.0
	Heating		0.7	1.3	1.5	2.0
Sound Pressure Level	Indoor (Cooling)	H/M/L/Q	28/27/26/25	29/28/26/25	32/30/28/26	32/30/29/27
	Indoor (Heating)	H/M/L/Q	28/26/25/24	29/28/26/24	32/30/28/25	32/30/29/27
	Outdoor (Cooling/Heating)	High	46/46	47/47	49/49	50/50
Sound Power Level	Indoor (Cooling/Heating)	High	57/57	58/58	60/60	58/58
	Outdoor (Cooling/Heating)	High	59/59	61/61	62/62	62/62
	Indoor / Outdoor (Cooling)	High	600/1,480	650/1,580	800/1,670	940/2,160
Airflow Rate	Indoor / Outdoor (Heating)	High	600/1,410	650/1,520	800/1,580	940/1,830
	Indoor / Outdoor (Cooling)	High	600/1,410	650/1,520	800/1,580	940/1,830
Static pressure range (Standard)		Pa	0 to 90 (25)	0 to 90 (25)	0 to 90 (25)	0 to 90 (25)
Net Dimensions H x W x D	Indoor	mm	198 x 700 x 620	198 x 700 x 620	198 x 700 x 620	198 x 900 x 620
	Outdoor	mm	542 x 799 x 290	542 x 799 x 290	542 x 799 x 290	632 x 799 x 290
Weight	Indoor	kg (lbs)	17 (37)	17 (37)	17 (37)	20 (44)
	Outdoor	kg (lbs)	32 (71)	33 (73)	33 (73)	36 (79)
Connection Pipe Diameter (Liquid / Gas)			6.35/9.52	6.35/9.52	6.35/9.52	6.35/12.70
Drain hose Diameter (I.D./O.D.)		mm	25/32	25/32	25/32	25/32
Max. Pipe Length (Pre-Charge)		m	20 (15)	25 (15)	25 (15)	30 (20)
Max. Height Difference		m	15	20	20	20
Operating Range	Cooling	°CDB	-15 to 46	-15 to 46	-15 to 46	-15 to 46
	Heating		-15 to 24	-15 to 24	-15 to 24	-15 to 24
Refrigerant	Type (Global Warming Potential)		R32 (675)	R32 (675)	R32 (675)	R32 (675)
	Charge	kg(CO2eq-T)	0.85 (0.574)	0.85 (0.574)	0.85 (0.574)	1.02 (0.689)

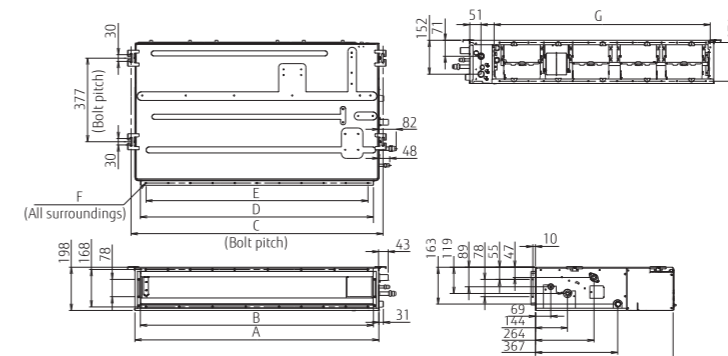
### Optional parts

\* For optional parts compatibility of Intesis devices, please refer to the optional parts compatibility list page C-046.

Compact Wired Remote Controller:	UTY-RCRYZ1	External Switch Controller:	UTY-TERX	Network Converter for single split (DC power supply type):	UTY-VTGX
Wired Remote Controller (Touch Panel):	UTY-RNRYZ3	Wireless LAN Interface:	UTY-TFSXZ1	Network Converter for single split (AC power supply type):	UTY-VTGXV
Wired Remote Controller:	UTY-RLRY		FJ-RC-WIFI-1	External Connect Kit:	UTY-XWZXZG
	UTY-RNNYM	Remote Sensor Unit:	UTY-XSZX		
	UTY-RVNYM	Fresh Air Intake Kit:	UTZ-VXAA		
Simple Remote Controller (Without operation mode):	UTY-RHRY	Auto Louver Grille Kit:	UTD-GXTA-W (09-14)		
Simple Remote Controller:	UTY-RSRY		UTD-GXTB-W (18)		
	UTY-RSNYM	IR Receiver Unit:	UTY-LBTYM		

### Dimensions

(Unit : mm)



	ARXG09/12/14KLLAP	ARXG18KLLAP
A	700	900
B	650	850
C	734	934
D	650	850
E	P100x6=600	P100x8=800
F	18xØ5	22xØ5
G	574	774